

Omega 60cm slide-out rangehood with halogen lights, white body, two stainless steel fascia panels included – 40mm and 80mm.

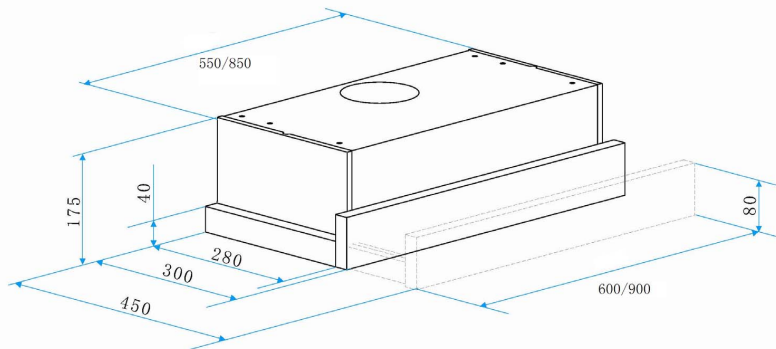


Technical details

Profile type: Slide-out
 Size: 60cm
 Installation type: Built into overhead cabinetry
 Airflow: 378m³/hr NET
 Number of motors: 2
 Watts of motor: 100W
 Speeds: 3
 Carbon filter: Included (ORCF110)
 Filtration: 2 aluminium, removable and washable filters
 Lighting: 2 x 20W halogen
 Noise level (DB): 47-56dBA
 Air extraction: Ducted or recirculating
 Maximum current: 10amps 3 pin plug
 Connection: 240V, 50Hz
 Warranty: 24 months parts and labour

Aesthetics

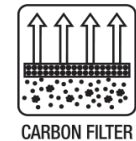
Finish: White body and stainless steel panel
 Front rail: Yes, 80mm
 Control type: Concealed sliding switch



Dimensions/weight

Overall dimensions (mm): 175h x 600w x 300d (450d extended)
 Chimney height (mm): N/A
 Flue diameter: 120mm
 Weight: 11.5kg

PLEASE NOTE: THIS PRODUCT IS CURRENTLY FITTED WITH AN 80MM RAIL AND COMES WITH A 40MM RAIL AS AN ACCESSORY. PLEASE REFER TO INSTRUCTIONS FOR CHANGING RAILS.



Key features	Benefits
Twin rails	This product comes with an 80mm stainless steel panel and an additional 40mm panel, it offers the flexibility of 2 panels which will suit all kitchen designs.
Carbon filter	A carbon filter does a superior job of cleaning the air before it re-enters the kitchen. This means you will have less leftover odours and the air will smell fresher.
Recirculation	A recirculating rangehood draws the air inside the appliance, cleans it and pushes it through the front panel. Because there is no ducting required, these rangehoods are very easy to install.

NB: Drawings are not to scale - they are to assist only. WARNING: technical specifications and product sizes can be varied by the manufacturer without notice. Cut-outs for appliances should only be by physical product measurements. The above information is indicative only.